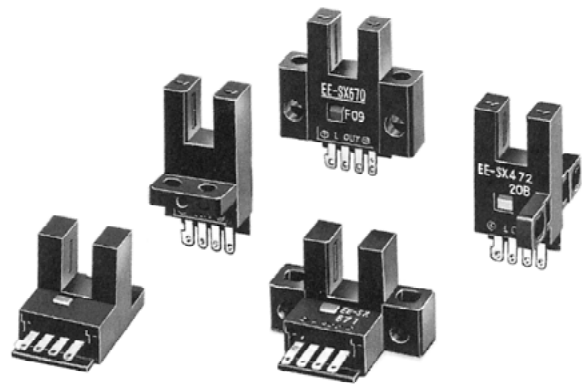


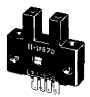
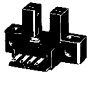
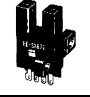
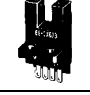

EE-SX470/471/472/473/474/670/671/672/673/674(P)

Photomicrosensor with 50 mA (PNP) or 100 mA (NPN) Switching Capacity that can be Built into Equipment

- Standard, L-shaped, T-shaped, and close mounting models available
- Easy to maintain, plugs into Connector cordset EE-1006
- Models available with Light-ON or Light-ON/Dark-ON output configurations
- Response frequency as high as 1 kHz
- Easy operation monitoring with bright LED indicator
- Wide operating voltage range (5 to 24 VDC) makes smooth connection of the photomicrosensor with TTLs, relays, and programmable controllers (PLC) possible



Ordering Information

Appearance	Sensing method	Slot width	Slot depth	Output configuration	Weight	Part number	
	Slot	5 mm	9 mm	Light-ON	Approx. 3.1 g	EE-SX470	
				Light-ON/Dark-ON (See note)		EE-SX470P	
				Light-ON		Approx. 3.0 g	EE-SX471
				Light-ON/Dark-ON (See note)			EE-SX471P
				Light-ON	Approx. 2.4 g	EE-SX472	
				Light-ON/Dark-ON (See note)		EE-SX472P	
				Light-ON		Approx. 2.3 g	EE-SX473
				Light-ON/Dark-ON (See note)	EE-SX473P		
	Light-ON	Approx. 3.0 g	EE-SX474				
	Light-ON/Dark-ON		EE-SX474P				
							EE-SX670
						EE-SX670P	
						EE-SX671	
						EE-SX671P	
						EE-SX672	
						EE-SX672P	
						EE-SX673	
						EE-SX673P	
						EE-SX674	
						EE-SX674P	

Note: The EE-SX67□ series models can be used as Light-ON models when the L terminal and positive (+) terminal are short-circuited. To use them as Dark-ON models do not short-circuit these terminals. Connector EE-1001-1 can be used for Light-ON operation.

■ ACCESSORIES

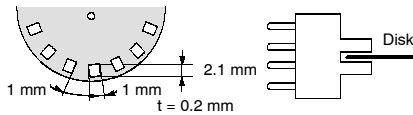
Name	Part number
Solder connector	EE-1001
Connector with 2 m cable	EE-1006
Connector holder for EE-1006	EE-1006A

Specifications

■ RATINGS

Item		Standard	L-shaped	T-shaped	Close-mounting
Output type	NPN output	EE-SX470 EE-SX670	EE-SX471 EE-SX671	EE-SX472 EE-SX672	EE-SX473, EE-SX474 EE-SX673, EE-SX674
	PNP output	EE-SX470P EE-SX670P	EE-SX471P EE-SX671P	EE-SX472P EE-SX672P	EE-SX473P, EE-SX474P EE-SX673P, EE-SX674P
Supply voltage		5 to 24 VDC ±10%, ripple (p-p): 10% max.			
Current consumption		NPN models: 35 mA max., PNP models: 30 mA max.			
Standard reference object		Opaque: 0.8 x 2 mm			
Differential distance		0.025 mm			
Control output		NPN open collector output models: At 5 to 24 VDC: 100 mA load current (I_c) with a residual voltage of 0.8 V max. When driving TTL: 40 mA load current (I_c) with a residual voltage of 0.4 V max. PNP open collector output models: At 5 to 24 VDC: 50 mA load current (I_c) with a residual voltage of 1.3 V max.			
Indicator (See note 1.)	Without detecting object	ON			
	With detecting object	OFF			
Response frequency (See note 2.)		1 kHz max. (3 kHz typ.)			
Light source		GaAs infrared LED with a peak wavelength of 940 nm			
Receiver		Si phototransistor with a sensing wavelength of 850 nm max.			
Connecting method		EE-1001/1006 Connectors; soldering terminals/cordset			

- Note: 1. The indicator is GaP red LED (peak emission wavelength: 690 nm).
 2. The response frequency was measured by detecting the following disks rotating.



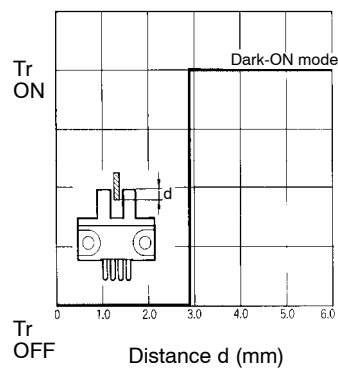
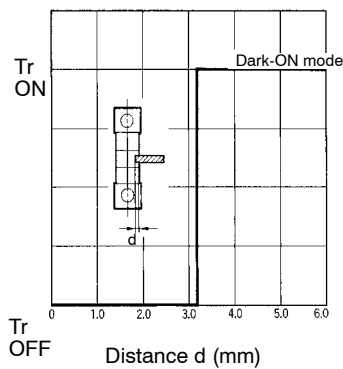
CHARACTERISTICS

Ambient illumination (See note 1.)		Fluorescent light: 1,000 lx max.
Ambient temperature	Operating	-25°C to 55°C (-13°F to 131°F)
	Storage	-30°C to 80°C (-22°F to 176°F)
Ambient humidity	Operating	5% to 85%
	Storage	5% to 95%
Vibration resistance		Destruction: 20 to 2,000 Hz, (with a peak acceleration of 10 G), 1.5-mm double amplitude for 2 hrs (with 4-minute cycles) each in X, Y, and Z directions
Shock resistance		Destruction: 500 m/s ² (approx. 50G) for 3 times each in X, Y, and Z directions
Soldering heat resistance (See note 2.)		260±5°C when the portion between the tip of the terminals and the position 1.5 mm from the terminal base is dipped into the solder for 10±1 seconds
Degree of protection		IEC 60529, IP50
Materials	Case	Polybutylene terephthalate (PBT)
	Cover	Polycarbonate (PC)
	Emitter/Receiver	Polycarbonate (PC)

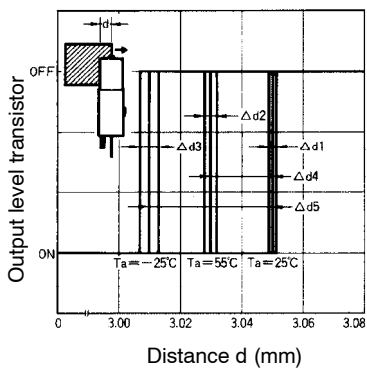
Note: 1. The ambient luminance is measured on the surface of the receiver.
 2. This conforms to MIL-STD-750-2031-1.

Engineering Data

SENSING POSITION CHARACTERISTICS (TYPICAL)

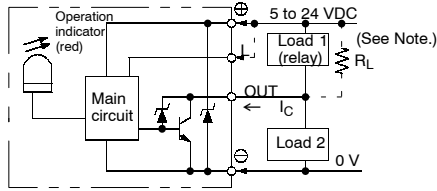
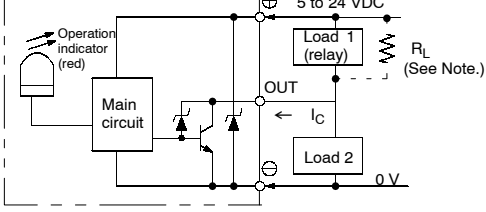
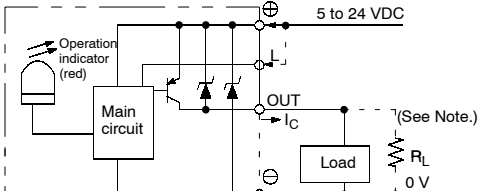
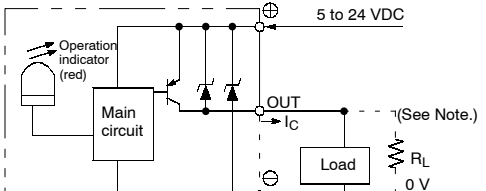


REPEATED SENSING POSITION CHARACTERISTICS (TYPICAL)



No. of repetitions: 20 at $V_{CC} = 12 V$
 $\Delta d1 = 0.002 \text{ mm}$
 $\Delta d2 = 0.004 \text{ mm}$
 $\Delta d3 = 0.005 \text{ mm}$
 $\Delta d4 = 0.02 \text{ mm}$
 $\Delta d5 = 0.04 \text{ mm}$

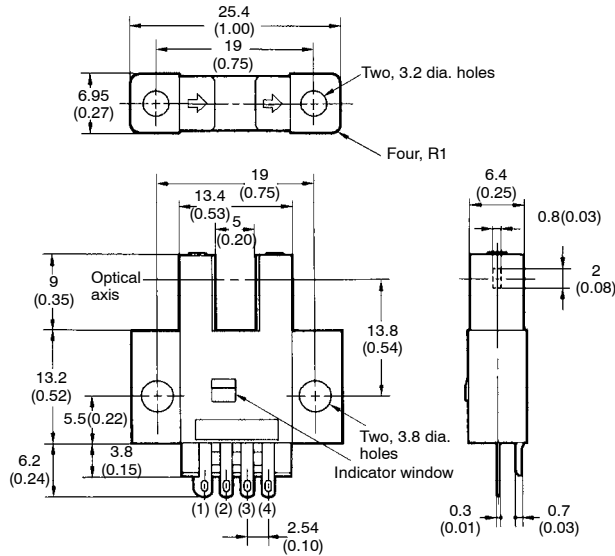
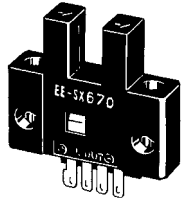
Operation

Output configuration	Model	Output transistor operation	Timing charts	Output circuit
NPN output	EE-SX670 EE-SX671 EE-SX672 EE-SX673 EE-SX674	Light-ON	(When terminals L and ⊕ are short circuited) Incident Interrupted Operation indicator (red) ON OFF Output transistor ON OFF Load 1 (relay) Operates Releases Load 2 H L	 <p>Note: When using a voltage output, always insert a resistor in R_L.</p>
		Dark-ON	Incident Interrupted Operation indicator (red) ON OFF Output transistor ON OFF Load 1 (relay) Operates Releases Load 2 H L	
PNP output	EE-SX470 EE-SX471 EE-SX472 EE-SX473 EE-SX474	Light-ON	(When terminals L and ⊕ are short circuited) Incident Interrupted Operation indicator (red) ON OFF Output transistor ON OFF Load 1 (relay) Operates Releases Load 2 H L	 <p>Note: When using a voltage output, always insert a resistor in R_L.</p>
		Dark-ON	Incident Interrupted Operation indicator (red) ON OFF Output transistor ON OFF Load 1 (relay) Operates Releases Load 2 H L	
NPN output	EE-SX670P EE-SX671P EE-SX672P EE-SX673P EE-SX674P	Light-ON	(When terminals L and ⊕ are short circuited) Incident Interrupted Operation indicator (red) ON OFF Output transistor ON OFF Load (relay) Operates Releases Voltage output H L	 <p>Note: When using a voltage output, always insert a resistor in R_L.</p>
		Dark-ON	Incident Interrupted Operation indicator (red) ON OFF Output transistor ON OFF Load 1 (relay) Operates Releases Load 2 H L	
PNP output	EE-SX470P EE-SX471P EE-SX472P EE-SX473P EE-SX474P	Light-ON	(When terminals L and ⊕ are short circuited) Incident Interrupted Operation indicator (red) ON OFF Output transistor ON OFF Load (relay) Operates Releases Voltage output H L	 <p>Note: When using a voltage output, always insert a resistor in R_L.</p>
		Dark-ON	Incident Interrupted Operation indicator (red) ON OFF Output transistor ON OFF Load 1 (relay) Operates Releases Load 2 H L	

Dimensions

Unit: mm (inch)

■ EE-SX470(P), EE-SX670(P)

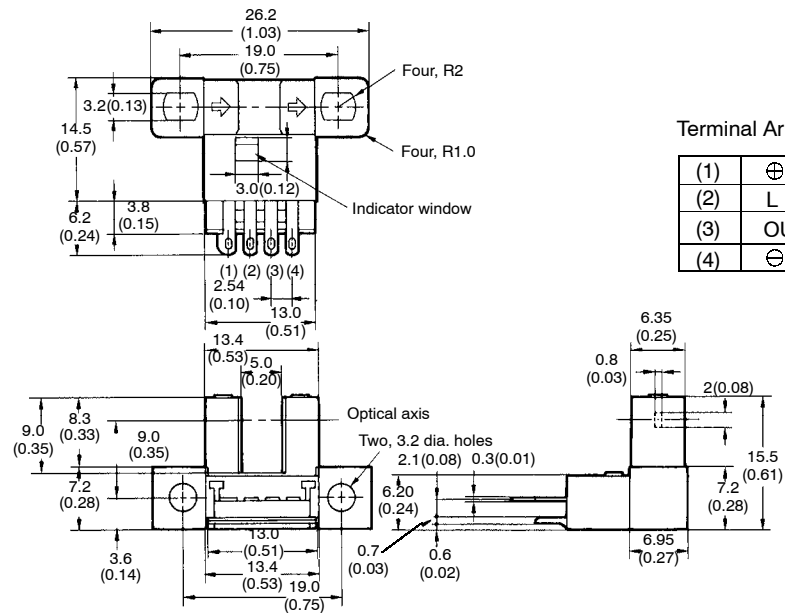
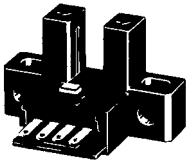


Terminal Arrangement

(1)	⊕	V _{CC}
(2)	L	L (See Note.)
(3)	OUT	OUTPUT
(4)	⊖	GND (0 V)

Note: L Terminal needs no connection for all EE-SX47□ series sensors.

■ EE-SX471(P), EE-SX671(P)

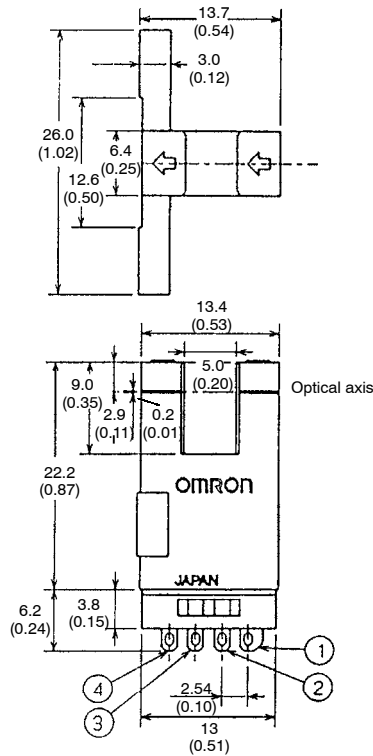
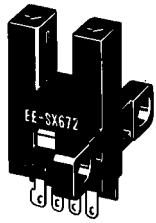


Terminal Arrangement

(1)	⊕	V _{CC}
(2)	L	L (See Note.)
(3)	OUT	OUTPUT
(4)	⊖	GND (0 V)

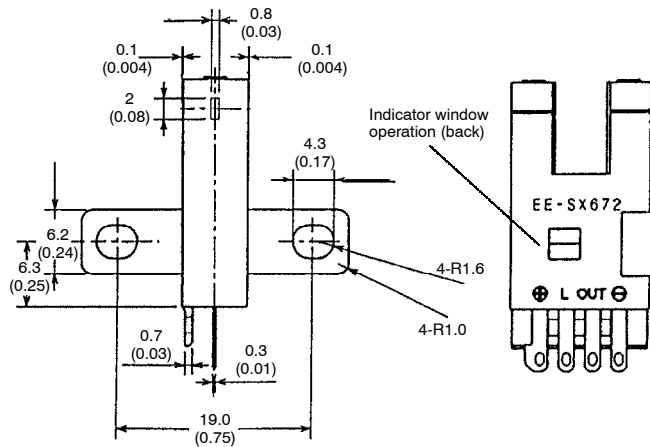
Note: L Terminal needs no connection for all EE-SX47□ series sensors.

■ EE-SX472(P), EE-SX672(P)



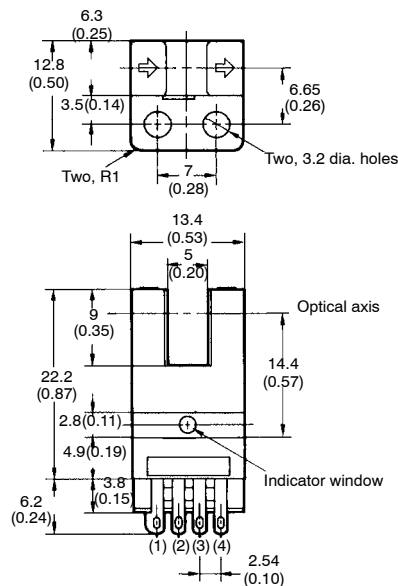
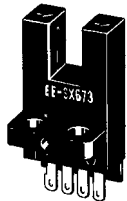
Terminal Arrangement

(1)	⊕	V _{CC}
(2)	L	L (See Note.)
(3)	OUT	OUTPUT
(4)	⊖	GND (0 V)



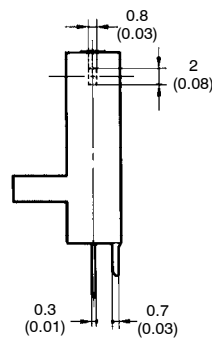
Note: L Terminal needs no connection for all EE-SX47□ series sensors.

■ EE-SX473(P), EE-SX673(P)



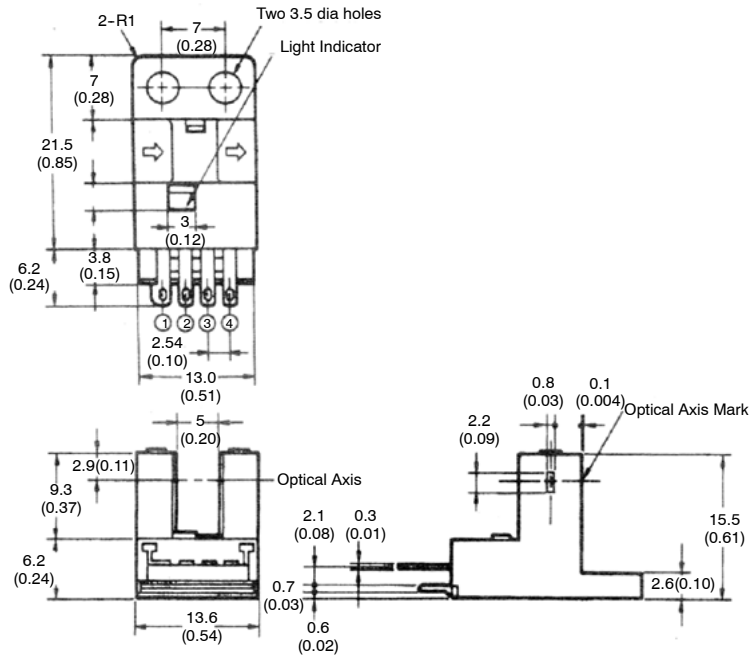
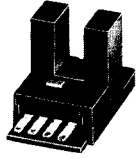
Terminal Arrangement

(1)	⊕	V _{CC}
(2)	L	L (See Note.)
(3)	OUT	OUTPUT
(4)	⊖	GND (0 V)



Note: L Terminal needs no connection for all EE-SX47□ series sensors.

■ EE-SX474(P), EE-SX674(P)

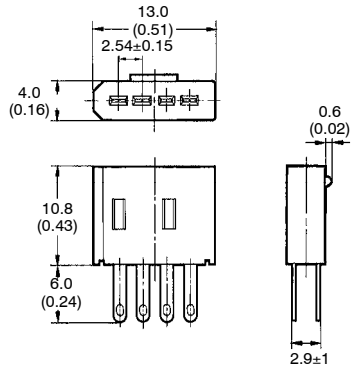
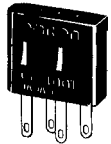


Terminal Arrangement

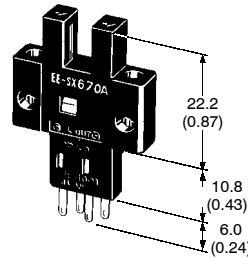
(1)	⊕	V _{CC}
(2)	L	L (See Note.)
(3)	OUT	OUTPUT
(4)	⊖	GND (0 V)

Note: L Terminal needs no connection for all EE-SX47□ series sensors.

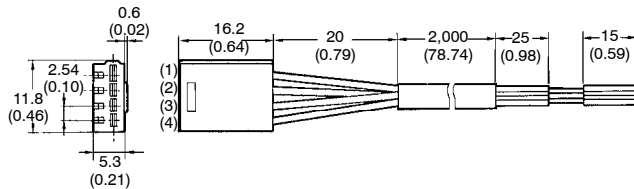
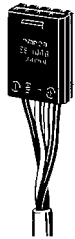
■ EE-1001 SOLDER CONNECTOR



■ EE-SX67□(P) WITH EE-1001 CONNECTOR



■ EE-1006 CONNECTOR WITH CABLE

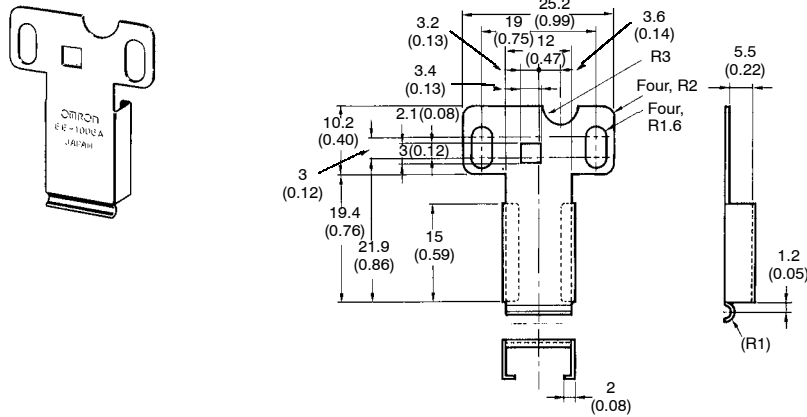


Terminal Arrangement - IEC Colors

(1)	Brown (Red)	⊕	V _{CC}
(2)	Pink (Yellow)	L	L
(3)	Black (White)	OUT	OUTPUT
(4)	Blue (Black)	⊖	GND (0 V)

Note: Older standard colors are shown in parentheses. Connector comes with a 2-m attached cable.

■ EE-1006A CONNECTOR HOLDER



Precautions

Refer to the the Technical Information Section for general precautions.

The sensing window is made of a polycarbonate resin which withstands chloride solvents and strong acids but is soluble in strong alkali, aromatic hydrocarbons, and aliphatic hydrocarbonate chloride solvents.

The casing material uses a PBT resin which withstands chemicals and oil but is soluble in strong acid or alkali solvents.

The temperature of the terminals at the time of soldering must not exceed the following:

Item	Temperature	Permissible time	Remarks
Dip	260°C	10 sec	The portion between the base of the terminals and the position 1.5 mm from the terminal base must not be soldered.
Iron	350°C	3 sec	

The terminal base uses a polycarbonate resin, which could be deformed by excessive soldering heat.

NOTE: DIMENSIONS SHOWN ARE IN MILLIMETERS. To convert millimeters to inches divide by 25.4.

OMRON®
OMRON ELECTRONICS LLC
 One East Commerce Drive
 Schaumburg, IL 60173
1-800-55-OMRON

OMRON ON-LINE
 Global - <http://www.omron.com>
 USA - <http://www.omron.com/oei>
 Canada - <http://www.omron.com/oci>

OMRON CANADA, INC.
 885 Milner Avenue
 Toronto, Ontario M1B 5V8
416-286-6465